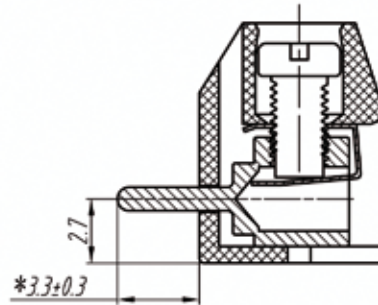
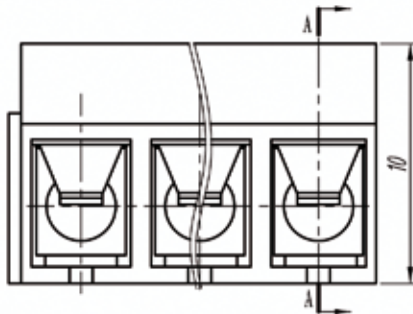
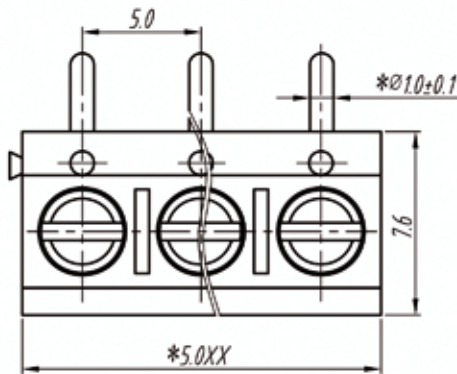


# euro-block

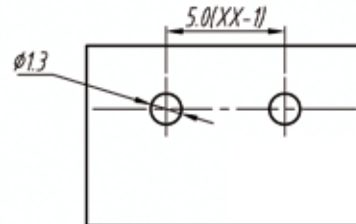
product specification



SECTION A-A



P.C.B.LAYOUT



## Electrical

Standard: UL-IEC

Rated voltage: 300V-250V

Rated current: 16A-17.5A

Wire range: 22-14AWG-2.5mm<sup>2</sup>

Withstanding voltage: AC2000V/1Min

## Mechanical

Torque: 0.4Nm (3.6Lb'in)

Temp.Range: -30°C~+120°C

Strip length: 4.5-5mm

## Dimensions

Pitch: 5.00mm (0.197")

Poles: 2p-xxp

## Material

Housing: PBT, UL94V-0

Screws: M2.5, steel, Zinc plated

Pin header: Brass, Tin plated

Wire guard: stainless steel

TOLERANCES EXCEPT AS NOTED

variable range	linear dimension				fillet	chamfer	∠ short angle sid			≡	-	□	//	⊥		
	to 6	over 6 to 30	over 30 to 120	over 120 to 480	all	over 6 to 6	to 10	over 10 to 50	over 50 to 120	all to 5	over 5 to 30	over 30 to 120	over 120 to 120			
tolerance	±0.1	±0.2	±0.3	±0.5	±0.2	±0.5	±1	1'	30'	20'	10'	0.5	0.025	0.06	0.12	0.4

UNITS	mm	SIZE	A4	SCALE	FIRST ANGLE PROJECTION	
					NAME	BLT52-H